

CABLE BOAT HOISTS

SUMMIT  MARINE



**RAISE YOUR BOAT...
...AND YOUR STANDARDS**

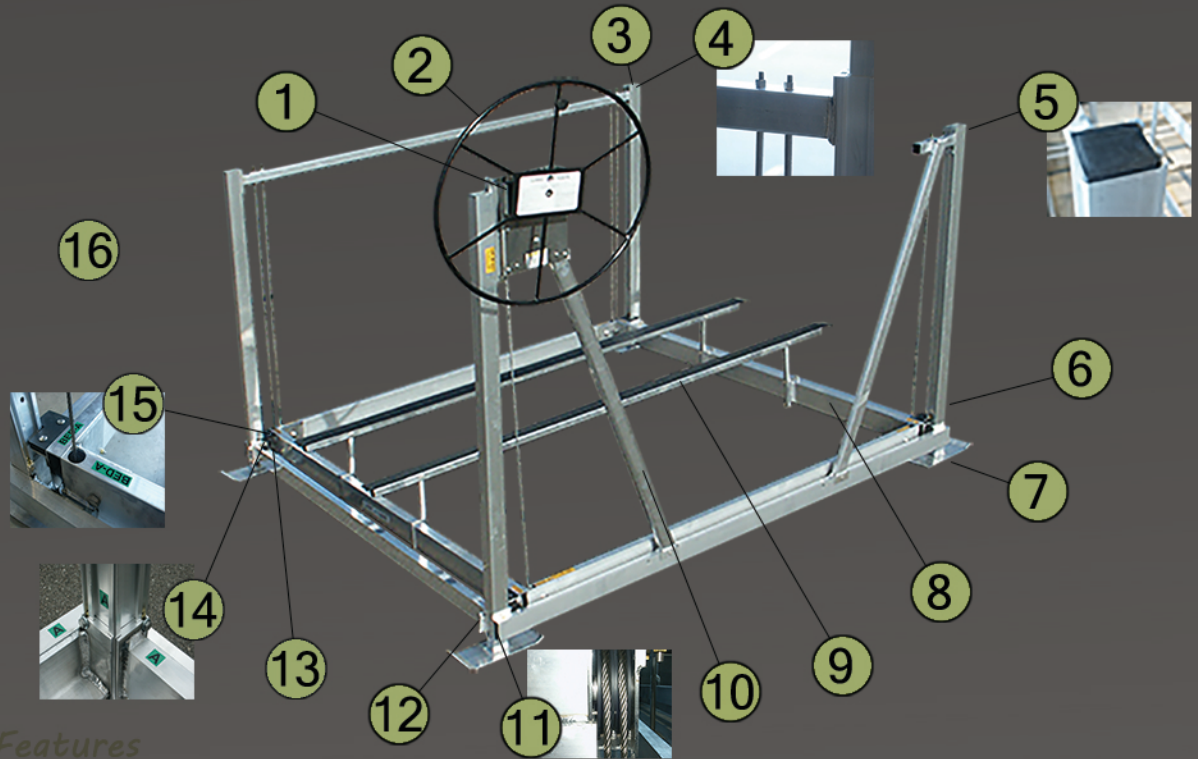


CABLE BOAT HOISTS

RAISE YOUR STANDARDS...

...LOWER YOUR COST

SUMMIT MARINE



Features

- 16/1 ratio Brake Winch. Smooth, safe and reliable with automatic 'Silent Lock' break disk to ensure a positive lock. Most important part of 3 components that lift your boat.
2. Large 42" wheel - lifts heavy boats with ease. Weather resistant knob helps turn wheel at blazing speeds. Powder coat finish looks great for many, many years. Optional POWER WINCH available.
3. Channeled upright posts – stronger than competitors, makes assembly a breeze.
4. Oversized 2.5" tube and Stainless Steel washer plates – strong and easy to adjust. Non-handed tube means you can't assemble incorrectly. Flip it over and turn it 180° – still works... .
5. Custom caps finish off your lift for a professional look..
6. 4' adjustable leg. Longer legs available.
7. Large, strong 8" x 16" Foot Pad – standard. Larger sizes for muddy conditions available.
8. Large, 2" x 6" Beam Tube – stronger than competitors. Optional STEP RAILS attach to these.
9. Durable vinyl bunks protect your hull for many years. Optional CENTERING GUIDES attach to these.
10. Walk through bracing, more expensive to build, easier to board your boat.
11. Large 5.5" Nylatron GSM Pulley – largest in its class. Pulleys are the third of 3 most important components to lift your boat. Larger pulleys mean longer cable life, period. Nylatron composite means no corrosion to transfer to cables. Nylatron composite means no metal to metal contact with cables, longer life is guaranteed. Our pulleys operate smoothly year after year. Nylatron composite is so strong, that it is used to make transmission gears.
12. Our CNC equipment machines accurate, well fitting parts that perform well and last longer.
13. Large Stainless Steel Bolts fasten the bed beams together and gives you a large surface area for the Nylatron Pulleys to rotate on. Stainless, aluminum and brass hardware throughout hoist.
14. Easy to follow labels – makes assembly easy to follow. Match the letters and your good...
15. UHMW Bed Guides – the most durable, slipperiest, plastic available. Won't foul like roller guides.
16. Strong Stainless Steel 5/16" lift and level cables. Galvanized Winch cable for long life. Cables are the second most important part of a quality lift.

Available Options

Carpeted Step Rails, Centering Guides, Canopy 20 thru 26, Power Drives, Wheel Kits.

Specifications

Model	Weight Capacity	Frame Weight #	Frame Length	Frame Width	Lift Height	Leg Length	Min Water Depth
CL45120	4,500#	305	110"	120"	56"	48"	7" + Hull Draft-
CL50120	5,000#	340	110"	120"	56"	48"	7" + Hull Draft

www.summitmarine.com Grand Rapids, Michigan USA (616-784-3525)

In an effort to provide the best products available, specifications are subject to change without notice. Summit Marine and its logo are registered trademarks.